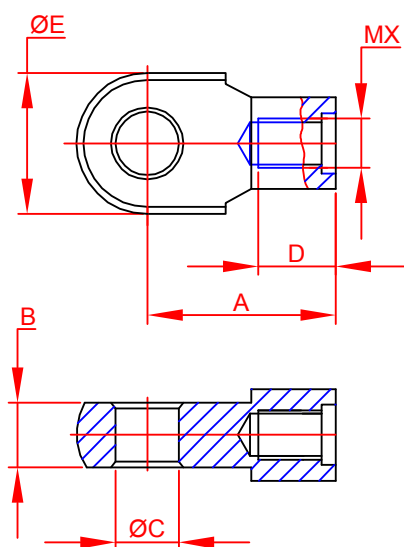


SPRINFORS

Металлическая проушина



Ref. No	Размеры (mm)					
	A	B	ØC <sup>+0.1</sup>	D	ØE	MX
1300	16	3	6.1	5	11	M5X0.8
1301	16	3	5.5	7	13	M6x1
1302	20	3	6.1	7	13	M6x1
1303	22	3	6.1	8	15	M6x1
1304	22	5	8.1	9	15	M6x1
1305	30	5	8.1	14	15	M8x1.25
1309	20	3	8.1	7	13	M6x1
1310	22	3	8.1	8	13	M6x1
1311	16	3	6.4	5	11	M4x0.7
1312	22	5	6.1	9	15	M6x1
1313	16	3	8.1	7	13	M6x1
1314	22	5	5.1	9	15	M6x1
1315	22	3	8.35 BUSHING	8	13	M6x1

Ref. No	Размеры (mm)					
	A	B	ØC <sup>+0.1</sup>	D	ØE	MX
1316	22	3	10.1	8	15	M6x1
1317	30	5	6.1	14	15	M8x1.25
1318	16	3	6.1	7	13	M6x1
1319	16	3	8.1	7	13	M6x1
1320	18	3	6.1	6	13	M6x1
1321	22	5	8.1	9	15	M8x1.25
1322	30	3.7	12.85 BUSHING	10.5	20	M8x1.25
1323	25	8	8.1	10	15	M6x1
1324	30	4.3	8.1	14	15	M8x1.25
1325	30	4.5	12.80	10.5	20	M8x1.25
1326	30	4.5	8 BUSHING	10.5	20	M8x1.25
1327	22	5	8.1	9	15	M5x0.8
1329	28	5	8.1	14	15	M6x1

(Standard application)